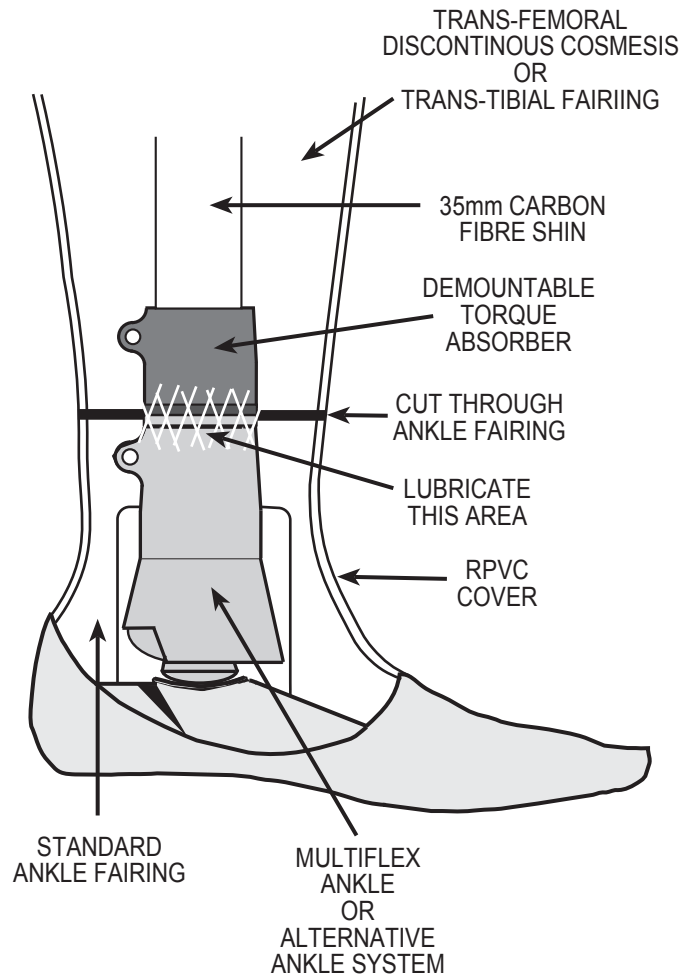


# Cosmesis Instructions for the Demountable Torque Absorber



## TRANS-FEMORAL

Follow normal procedure for fitting Trans-femoral (soft) and Ankle Fairings, lubricate inside of ankle Fairing with Petroleum Jelly 928001. Finish with either Fabric or RSi Cover.

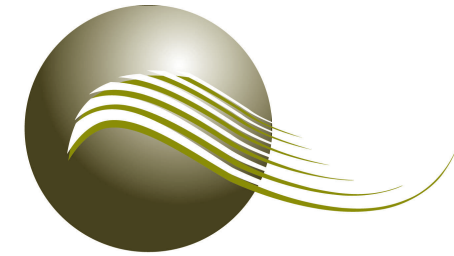
## DISCONTINUOUS COSMESIS

The Ankle Fairing is to be cut as diagram and lubricate area shown with Petroleum Jelly before cover is fitted.

## TRANS-TIBIAL

The Ankle Fairing is to be cut as diagram and lubricate area shown with Petroleum Jelly before cover is fitted.

Alternatively use a Short Knee Disarticulation Fairing (soft) 561022, cut to required length and shape inside to suit socket. Finish with a Fabric Cover.



endolite  
get busy living

# Instructions for Demountable Torque Absorber 409230

Approved for use with Blatchford 35mm Tubular and Tube Clamping Components to give Torque Absorption and Rotational Alignment



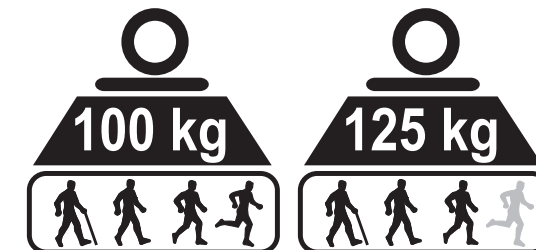
endolite  
get busy living

## Blatchford Products Ltd

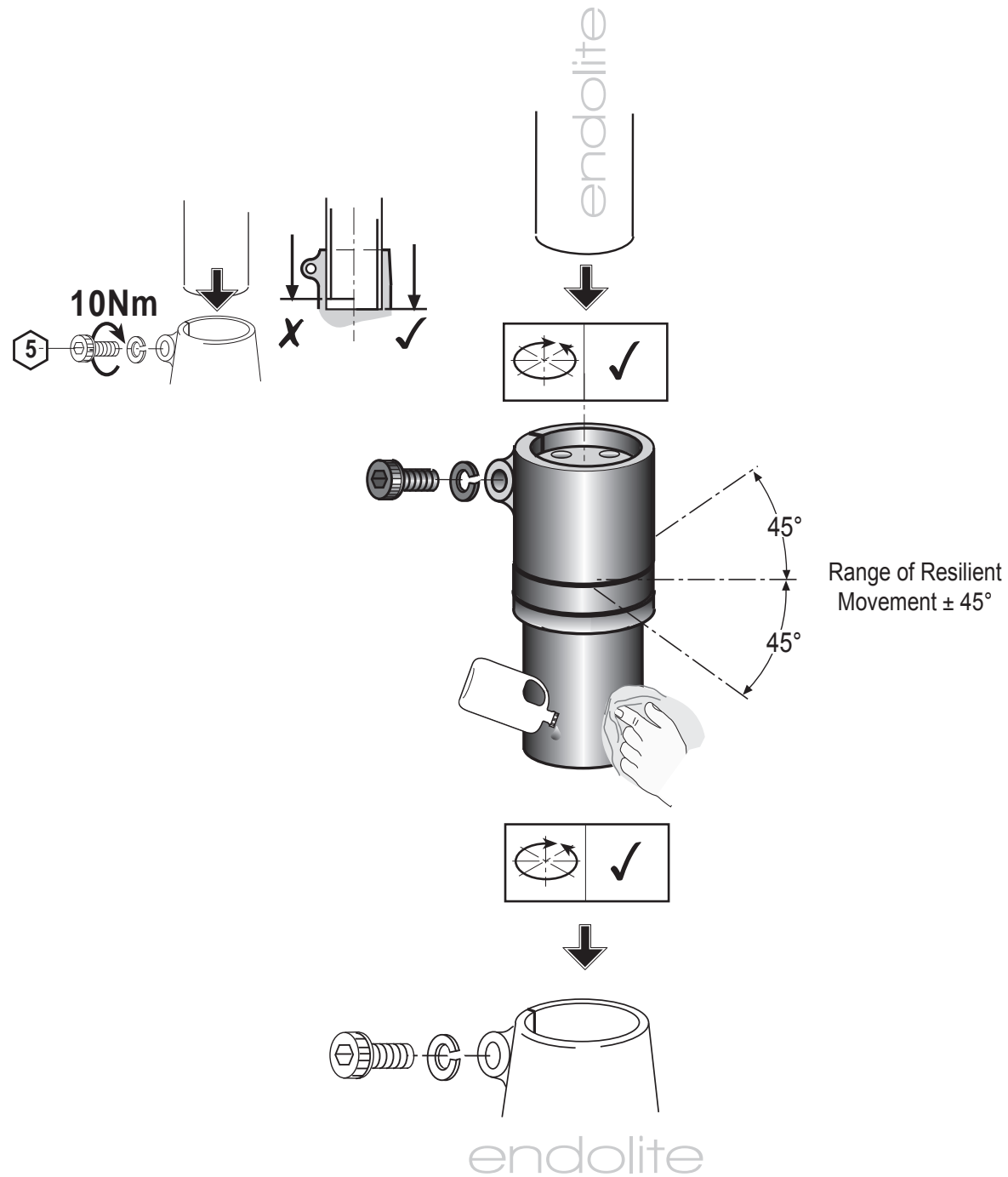
Lister Road, Basingstoke, Hampshire, RG22 4AH, United Kingdom  
Telephone: +44 (0)1256 316600  
Facsimile: +44 (0)1256 479705  
Email: sales@blatchford.co.uk  
www.endolite.co.uk

938064/03-0309

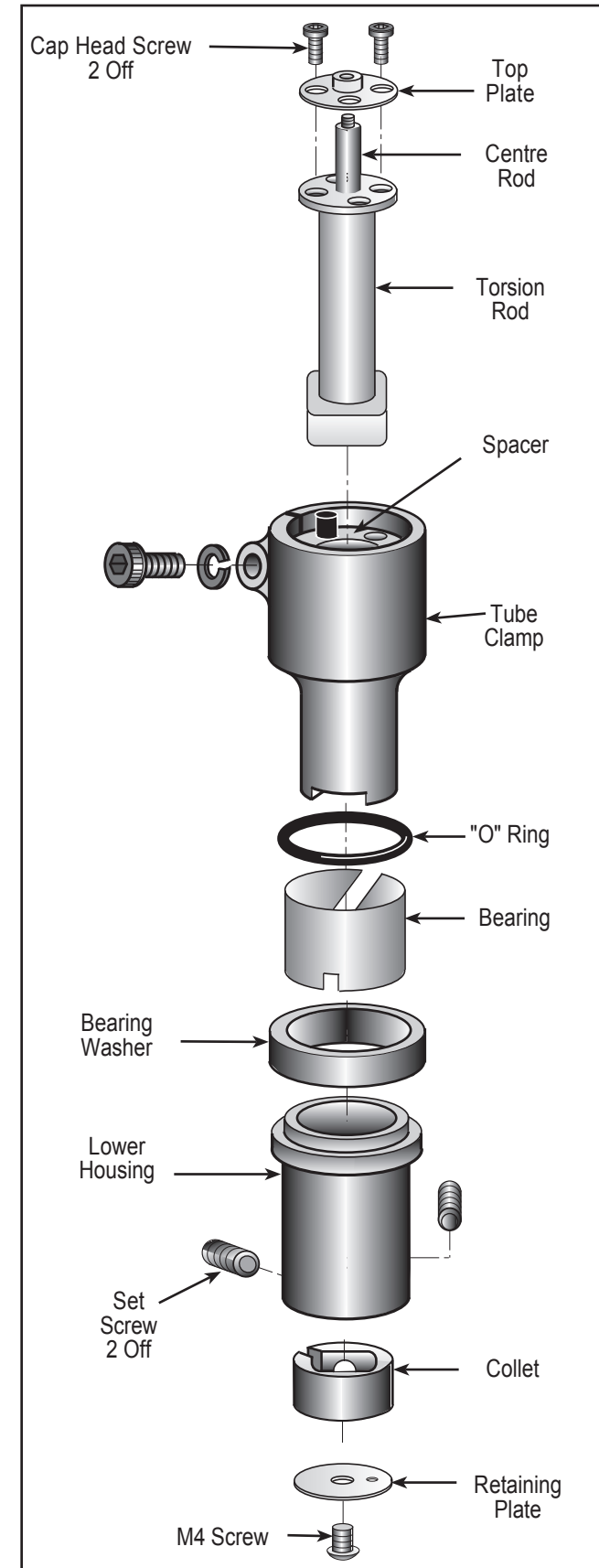
Demountable Torque Absorber



# Instructions for Fitting Demountable Torque Absorber



# Dismantling and Reassembly of Demountable Torque Absorber



- STAGE 1**  
Remove M4 Screw and Retaining Plate from base of assembly.
- STAGE 2**  
Remove Cap Head Screws and withdraw Top Plate/ Centre Rod Assembly.
- STAGE 3**  
Remove M6 Set Screws and withdraw Tube Clamp from Lower Housing.
- STAGE 4**  
The Torsion Rod can now be removed for replacement as required (see table).
- STAGE 5**  
Before re-assembly lightly coat bearing surfaces of Tube Clamp with Rocol Sapphire Endure (928015).
- STAGE 6**  
Ensure that the Bearing Washer is located on shoulder of Lower Housing, the "O" ring located in its groove and that the slot in the Bearing engages the Stop Pin in the Lower Housing.
- STAGE 7**  
Slide the Tube Clamp into the Lower Housing Assembly, making sure that the gap in the distal end of the Tube Clamp engages the Stop Pin in the Lower Housing.
- STAGE 8**  
Slide the Torsion Rod through the Assembly, locating the square section in the Collet.
- STAGE 9**  
Replace Centre Rod / Top Plate Assembly. Use Loctite 222 on all screws.
- STAGE 10**  
Apply Loctite 222 to M6 Set Screws, make sure that the unit is fully closed, i.e. there is no gap between the faces of the Tube Clamp, Bearing Washer and Lower Housing before tightening screws.
- STAGE 11**  
Replace Retaining Plate and screw. (No Loctite required).

## Alternative Torsion Rods

Part No.	Rate	Colour
403009	0.5 Nm/deg	Red
403010	0.6 Nm/deg (as fitted)	White
403011	0.7 Nm/deg	Purple