

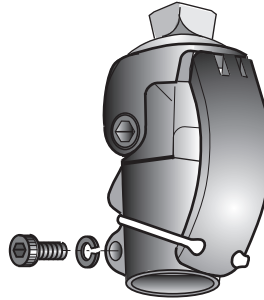
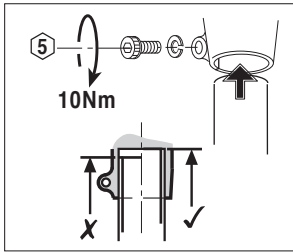
ENDOLITE

Blatchford Products Ltd

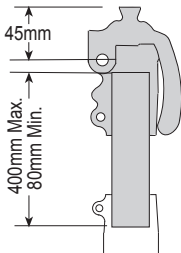
Lister Road, Basingstoke, Hampshire, RG22 4AH, United Kingdom
Telephone: +44 (0)1256 316600 Facsimile: +44 (0)1256 479705
Email: sales@blatchford.co.uk www.blatchford.co.uk

Compact Semi - Automatic Knee Lock

P239143

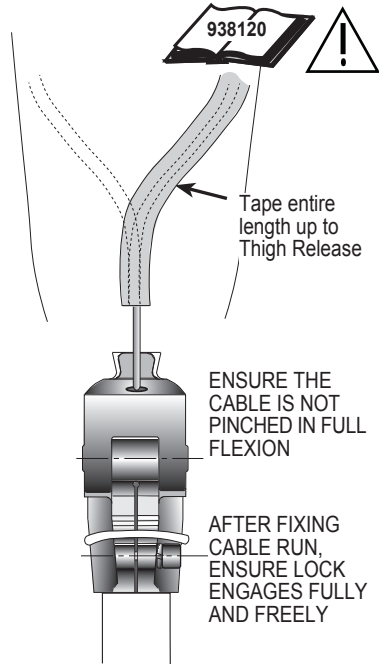


ENDOLITE/Bauerfeind
30mm dia. Shin tube



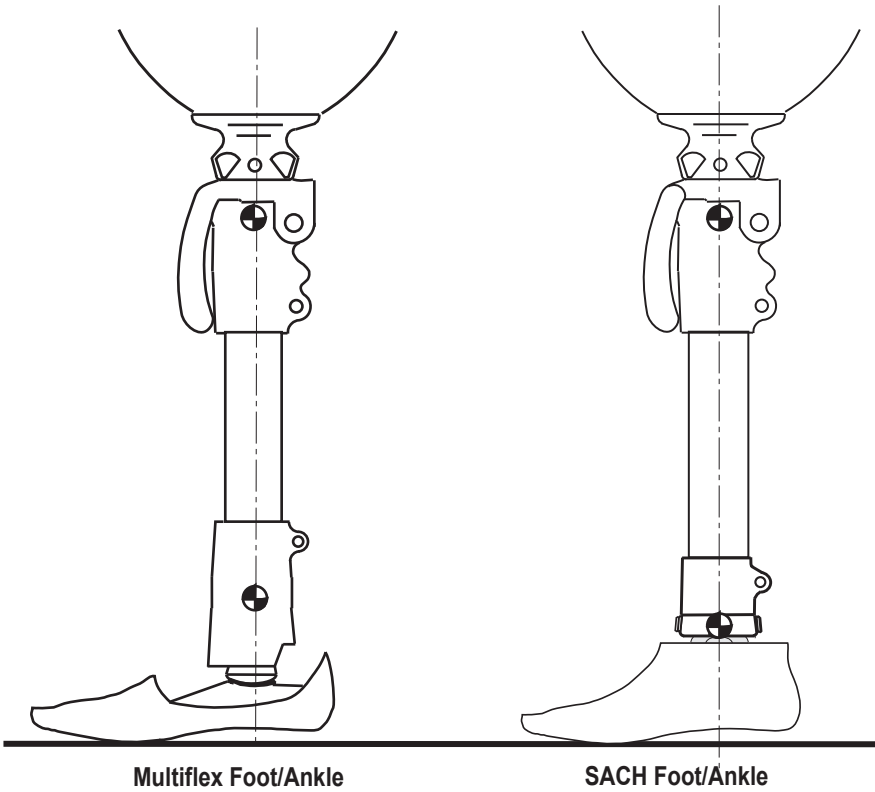
Fitting Instructions for the Compact SAKL

Users to be aware of potential finger trap hazard at all times



REAR VIEW

Recommended Alignment



For socket manufacture use ESK height position on Dummy Knee Block on alignment mandrel.

Serviceable Parts for Compact SAKL

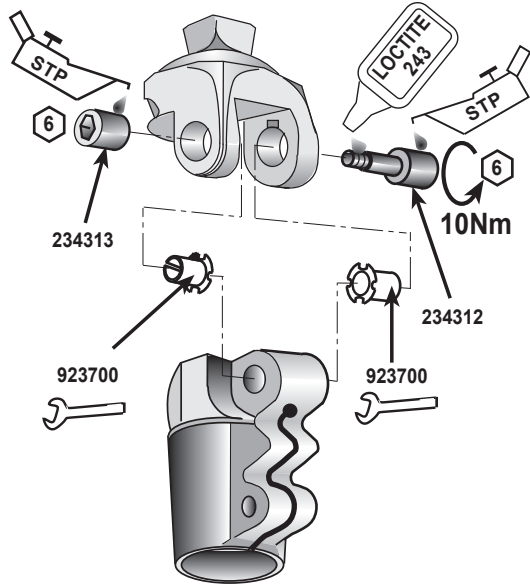


Fig 1: Bearing Replacement

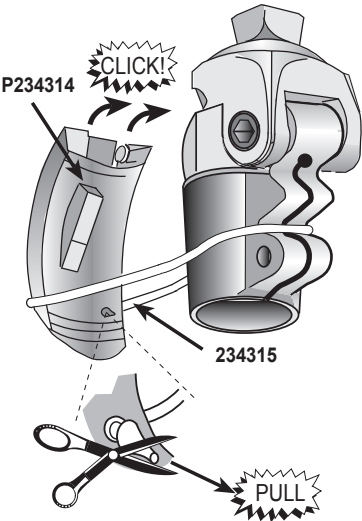


Fig 2: Patella Replacement

Serviceable Parts for Compact SAKL

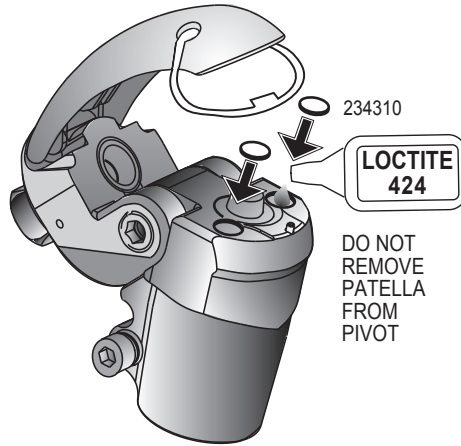


Fig 3: Buffer Replacement

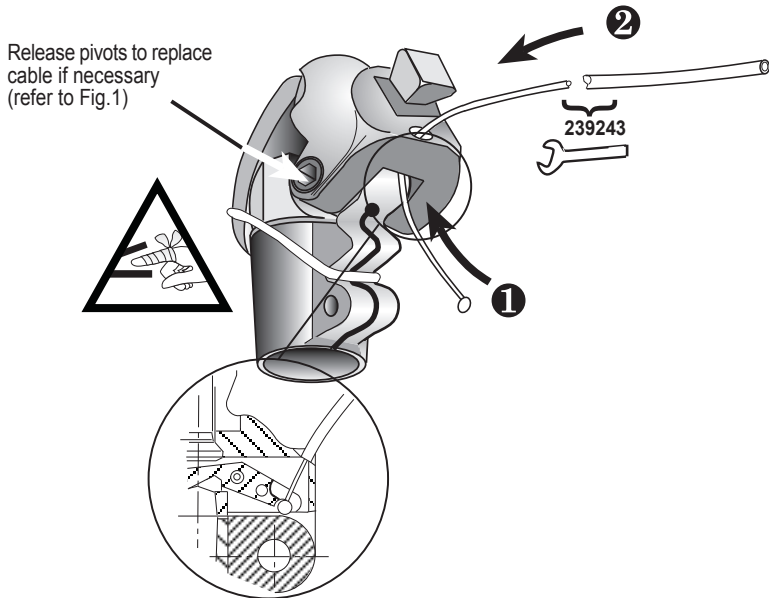
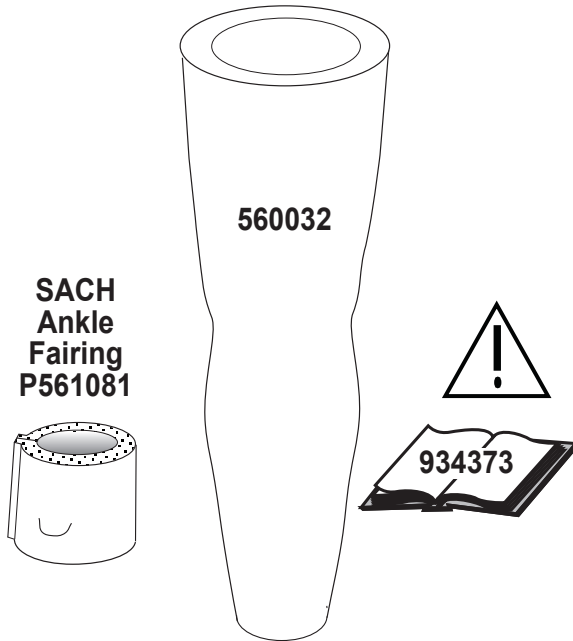


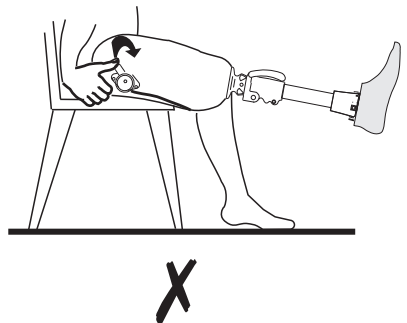
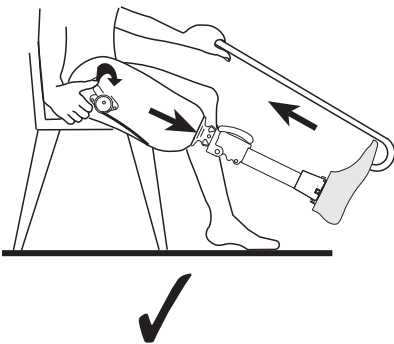
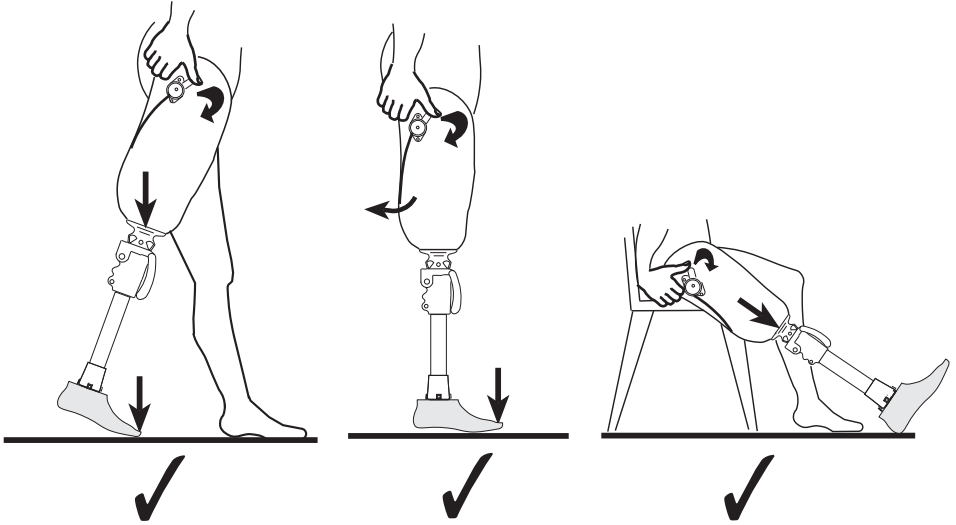
Fig. 4: Cable Replacement

Cosmesis



Unlocking Procedure (Advice to User)

Instruct wearer that when releasing lock, ensure a flexion load is not being applied and the foot is on the ground.



Maintenance

No specific maintenance is required.

However:-

- a) If ML rock is evident, the blue plastic bearings may be renewed **ref. Section 3**
- b) If AP rock is evident, the buffers may be renewed **ref. Section 3**
- c) If the cable is found to have stretched, remove the operating lever knob and loosen the cable clamp set screw. With the lever up, take up slack in cable without operating the pawl and retighten the set screw after applying Loctite 222. Cut excess cable if necessary, leaving enough for future adjustment, fold back into lever and refit knob.