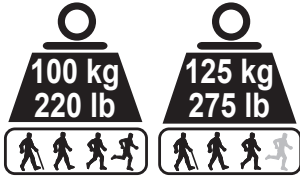


BRIO

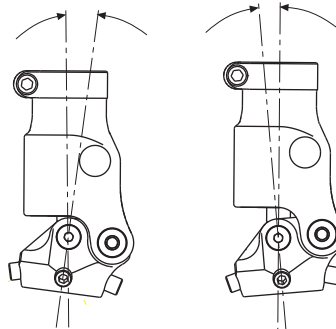
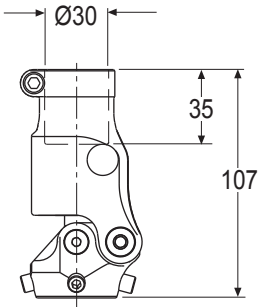
ADJUSTABLE HEEL DEVICE

ENDOLITE



BRIO30

ENDOLITE



Approx. range of heel height adjustment = 30mm



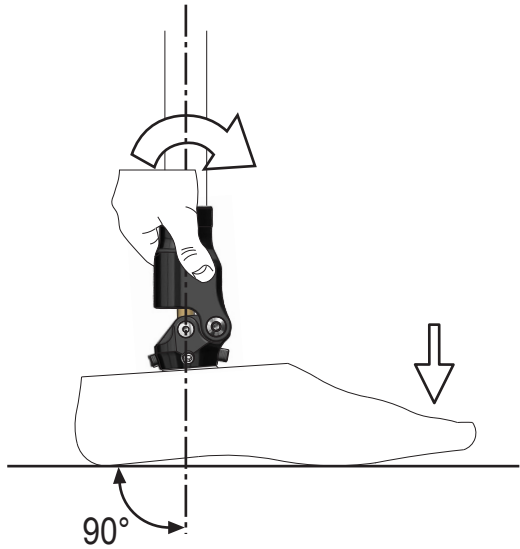
Alignment & Set Up

When adjusting, please be aware of the potential finger trap hazard between the upper and lower parts of the device.

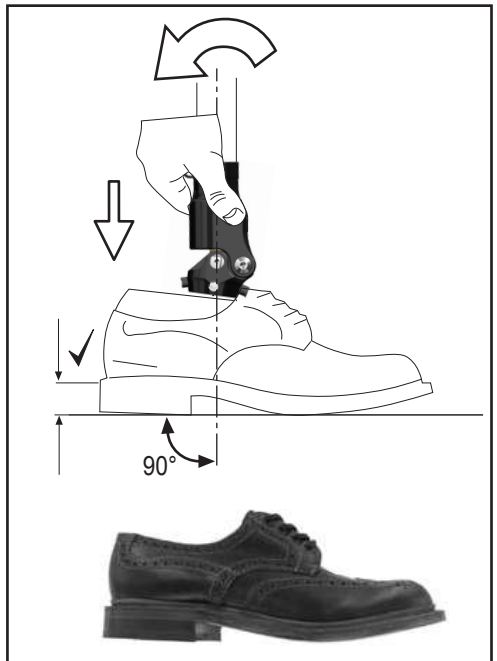
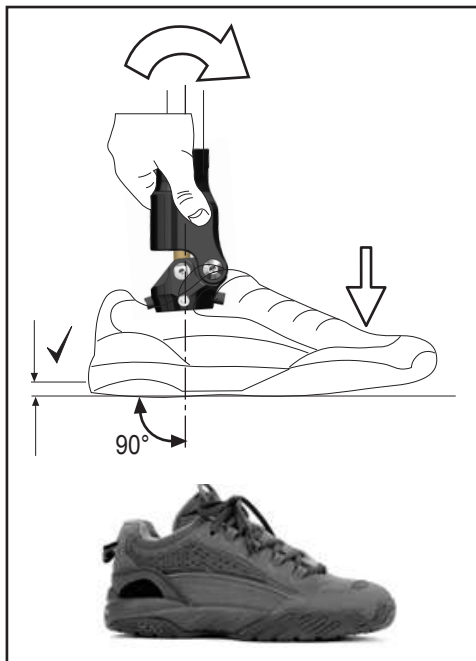
Depress button to adjust, release to lock in position.

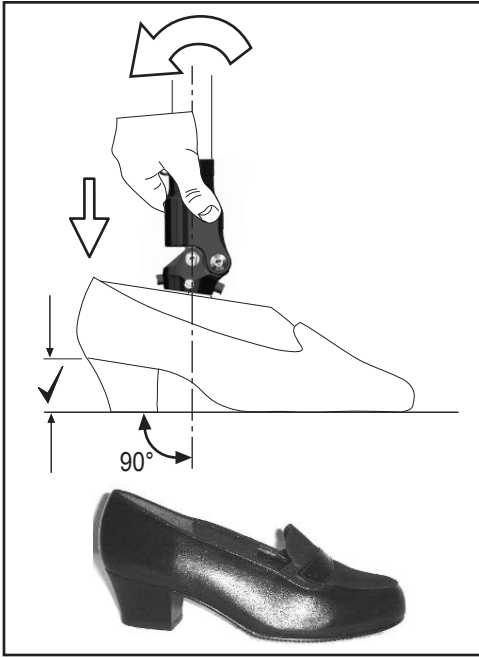
Set the device to maximum dorsiflexion (heel down, toe up). Align shin normal to the ground with lowest heel height (possibly barefoot) user is likely to wear by adjusting the foot angle on the pyramid.

This will provide the user with the maximum range to increase their heel height when required.



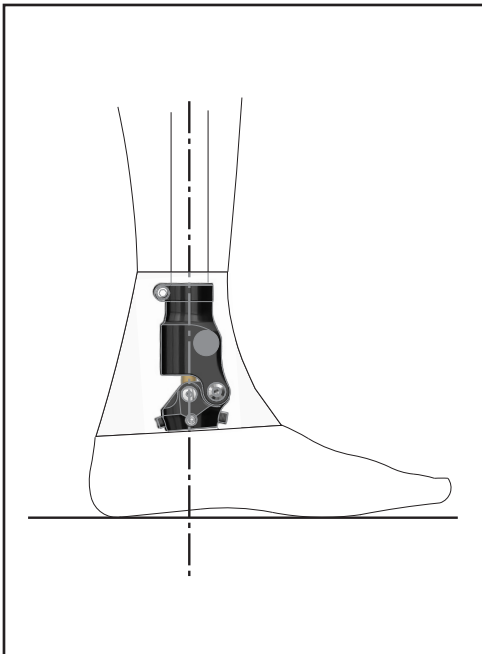
Adjustment - Load heel or toe as appropriate





Instruct the user on the importance of maintaining the correct alignment and hand them the User Instructions supplied.

Finishing



Finish using a foam or Plastazote fairing and cut a suitable hole for access to the adjuster button. If required, cut a circular disc of an appropriate colour material to adhere to button. Ensure button operation is not affected by the cosmetic covering.

ENDOLITE

Blatchford Products Ltd

Lister Road, Basingstoke, Hampshire, RG22 4AH, United Kingdom
Telephone: +44 (0)1256 316600 Facsimile: +44 (0)1256 479705
Email: sales@blatchford.co.uk www.blatchford.co.uk
Blatchford Products Limited and ENDOLITE are companies and trademarks of Chas. A. Blatchford and Sons Ltd.

938261/B-0906